



KAMAR INFRASTRUCTURE PVT. LTD.

KVH 1233

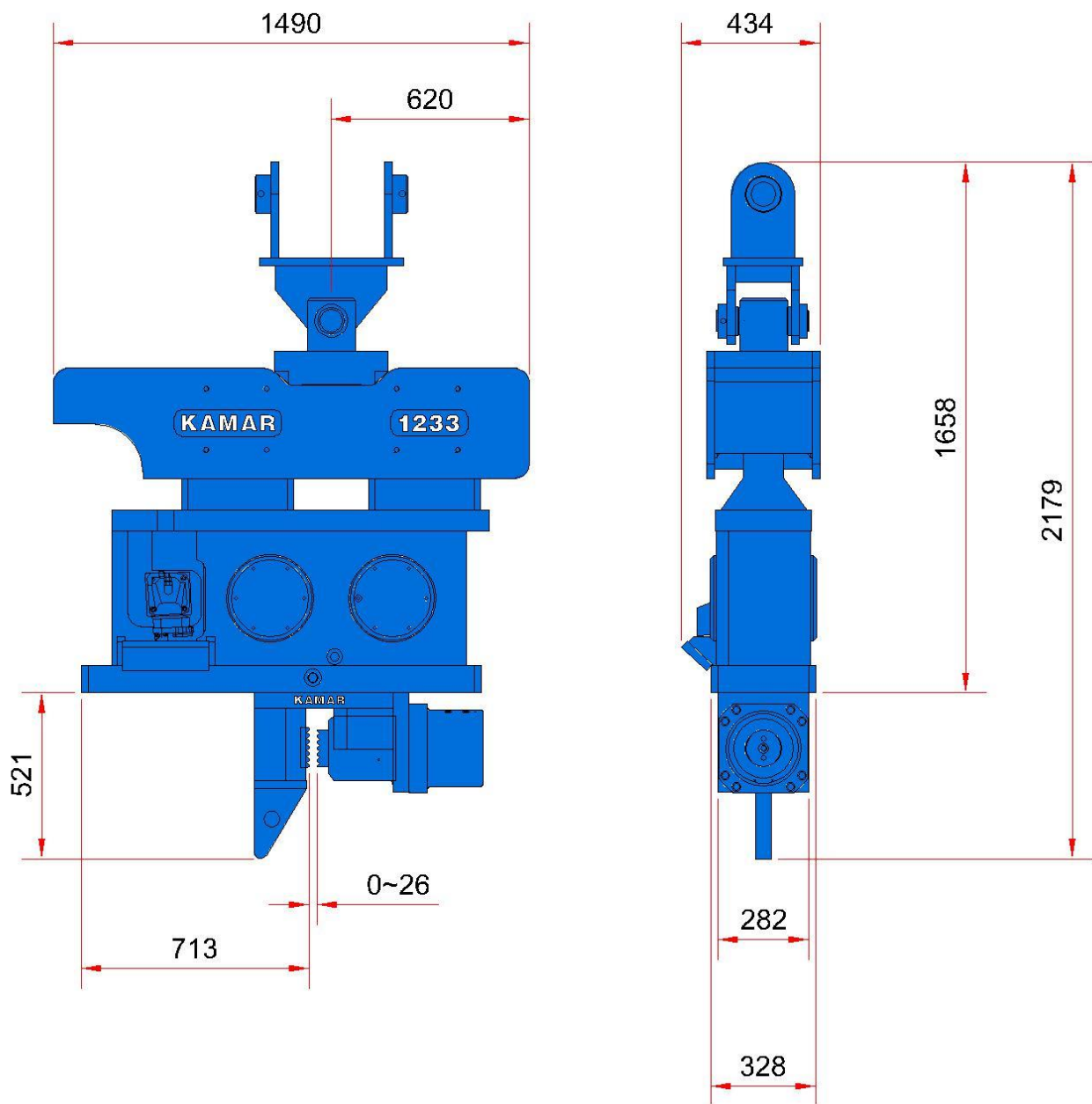
**Kamar Infrastructure Pvt Ltd, Kamar Estate, Devicha Pada, Behind Deepak
Nitrite, Taloja MIDC, Panvel-410208.Raigad.**

www.kamartools.com



KAMAR VIBRO HAMMER MODEL : KVH 1233 SHEET PILE CLAMP

DIMENSION : MM

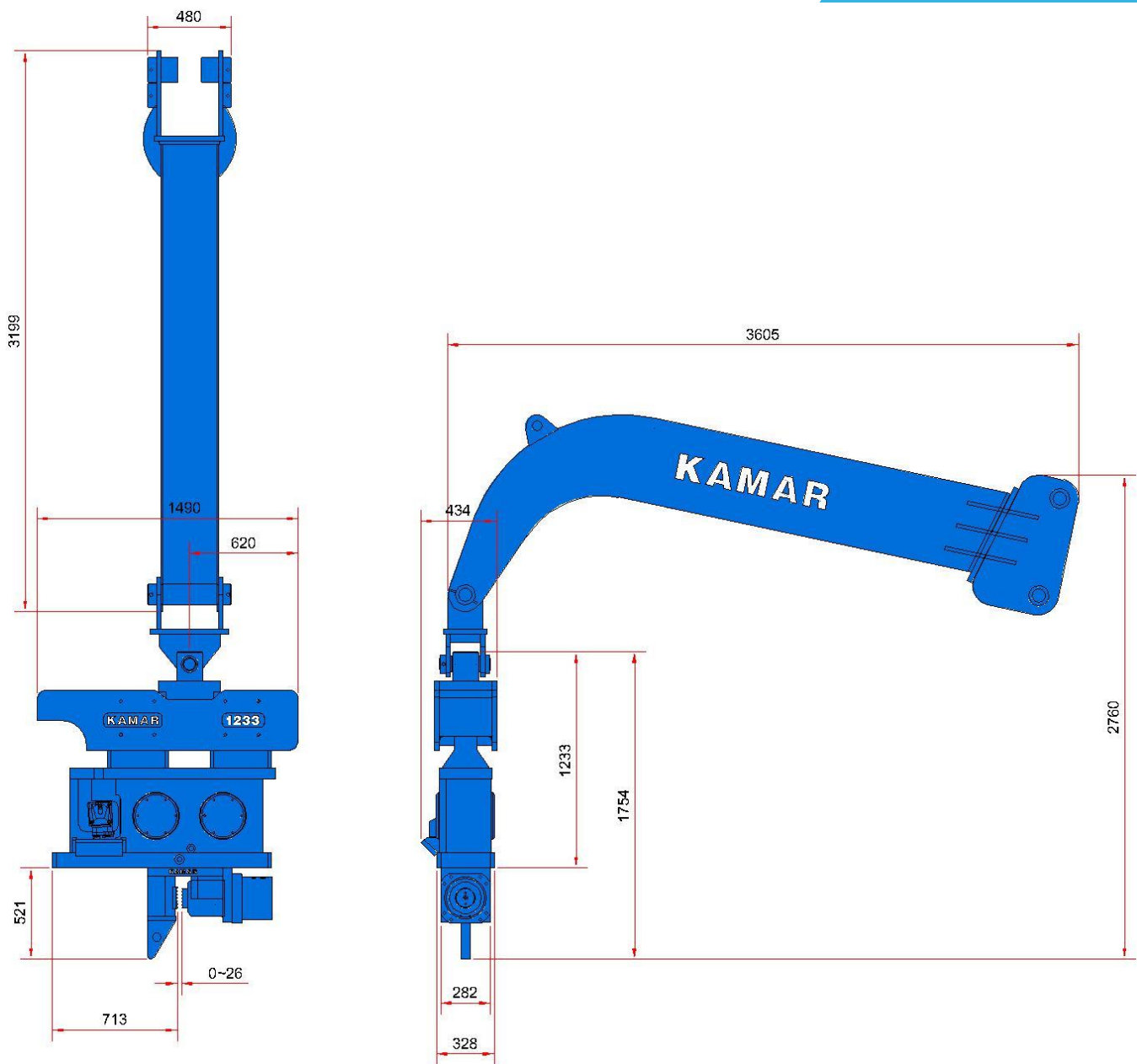


Kamar Infrastructure Pvt Ltd, Kamar Estate, Devicha Pada, Behind Deepak Nitrite, Taloja MIDC, Panvel-410208.Raigad.



KAMAR VIBRO HAMMER MODEL : KVH 1233 WITH GOOSENECK

DIMENSION : MM



Kamar Infrastructure Pvt Ltd, Kamar Estate, Devicha Pada, Behind Deepak Nitrite, Taloja MIDC, Panvel-410208.Raigad.



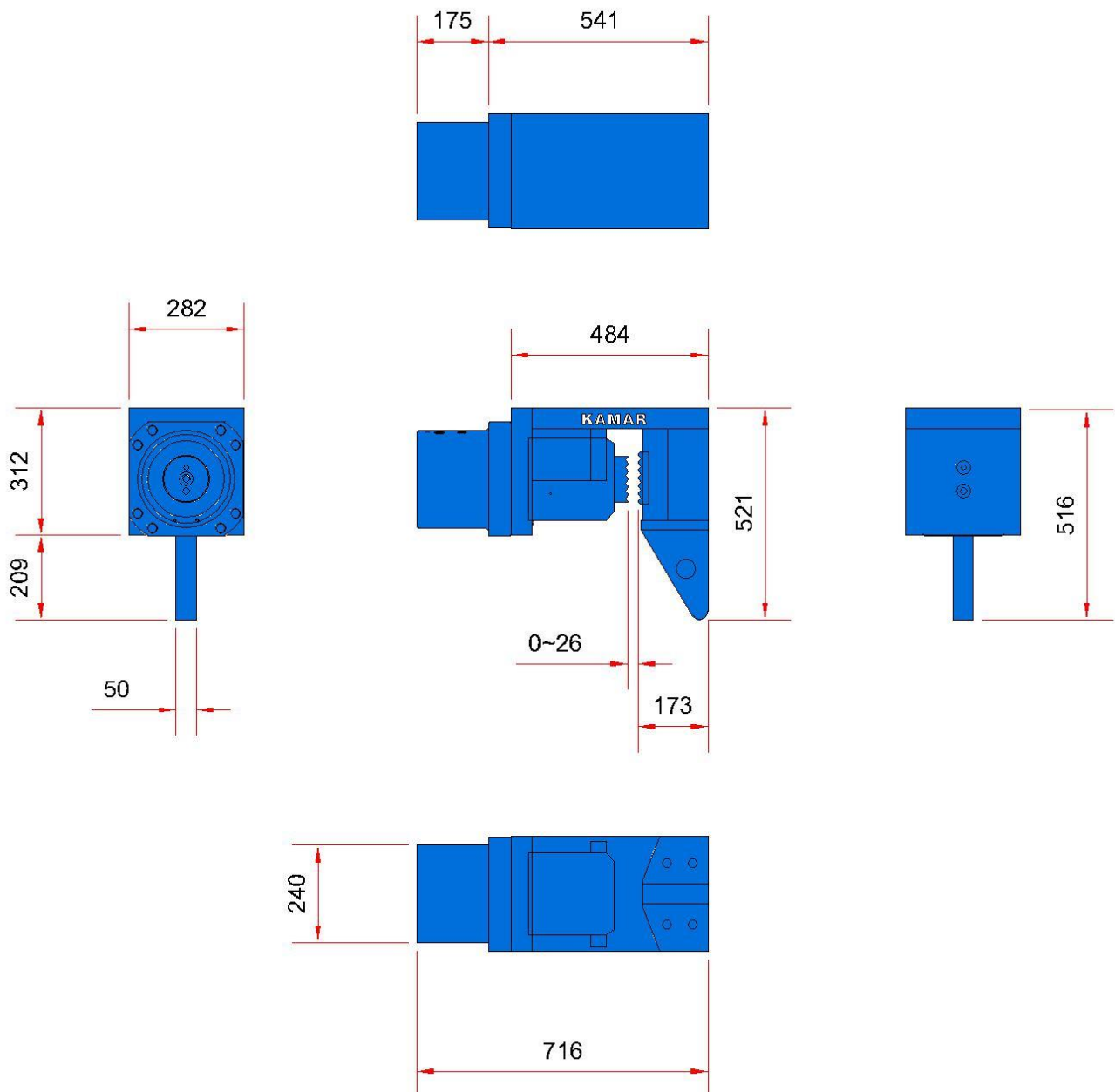
SPECIFICATION

VIBRO HAMMER SERIES			KVH 1233
< OPERATING DATA >			
Eccentric moment		(kg-m)	11.5
Max. frequency		(rpm)	2300
Max. Centrifugal force		(kN)	670
Max. Amplitude		(mm)	16.4
Max. line pull for extraction		(kN)	180
Max. hydraulic power		(HP)	258
Max. operating pressure		(bar)	350
Max. oil flow		(lpm)	326
< DIMENSIONS >			
Overall length with hose cover		(mm)	1490
Overall width		(mm)	434
Overall height with sheet pile clamp K-126		(mm)	2393
< CLAMPS >			
Sheet pile clamp K-80	Clamping force	(tons)	80
	Weight	(kg)	250
< WEIGHT >			
Total weight with sheet pile clamp K-80		(kg)	1400 + 250 = 1650
Suitable For Excavator		(Weight)	30T - 40T



KAMAR VIBRO CLAMP MODEL : K-80

DIMENSION : MM



Kamar Infrastructure Pvt Ltd, Kamar Estate, Devicha Pada, Behind Deepak Nitrite, Taloja MIDC, Panvel-410208.Raigad.



HEAD OFFICE :

Kamar Estate, Devicha Pada,
Behind Deepak Nitrite Ltd.,
Taloja MIDC, Taluka : Panvel, Dist.: Raigad,
Maharashtra - 410 208. (INDIA)

Direct No : +91 22 - 2740 1462
Tel.: +91 22 - 2741 0766 / 2741 0768
Fax : +91 22 - 2740 1460 / 2740 1458.

CORPORATE OFFICE :

20, Husain Patel Marg, Mazgaon,
Mumbai - 10. (INDIA)
Tel.: +91 22 - 2377 6024 / 2371 1811
Fax : +91 22 - 2371 3708

Mubashir A. Multani.

+91 98704 00112

info@kamargroup.com / mam@kamargroup.com